

Extreme Shock End Cap must be installed in each arrow before you shoot Firenocked arrow.

Extreme Shock End Cap Installation

- a) Remove the plastic nock that comes with the arrow.
- b) Remove broadhead/field point.

Note: If broadhead or field point is not removed, back pressure can cause the glue to not set.

- c) Screw the extreme shock end cap onto the tool. (Fig. 1)

Note: As of 2015, every Firenock comes with an installation tool. These tools are used to install end caps. Do not over screw the end cap onto the tool because by doing so, the end cap will be installed too shallow within the shaft. We recommend a barely snug fit for easy tool removal.

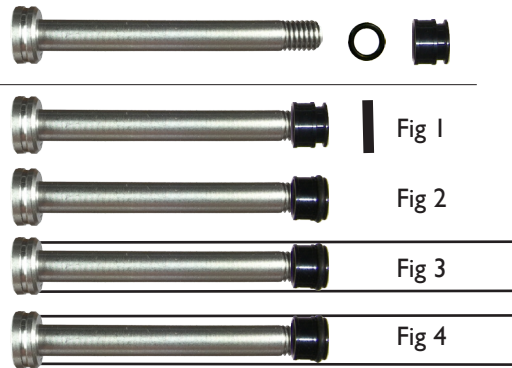
- d) Place the O-ring into the first groove of the end cap. (Fig. 2)

Note: Please practice inserting the end cap within the shaft before continuing to ensure fluency.

- e) Clean the inside of the shaft with an acetone-soaked Q-tip, then let dry.
- f) Apply a bead of super glue gel (AG0GEL recommended) to the inside surface of the shaft.
- g) While the glue is still wet, insert the end cap, with pointed side down, into the arrow shaft. Push the tool until it is flush with the arrow shaft. (Fig. 3)

Note: The O-ring will ensure that most of the glue is pushed behind the end cap.

- h) Hold the arrow nock side down for 30 seconds to ensure the glue sets around the O-ring.
- i) Try to tighten the screw. If it feels finger tight, the end cap is installed properly.
- j) If the end cap is still loose, repeat steps (f) thru (i) as instructed above.
- k) Unscrew the screw from the shaft. (Fig. 4)
- l) Wait until glue dries before use.



Note: It is recommended to let the glue dry overnight, as vapor from the super glue can form a film on the battery and/or the battery positive wire-holder and render both non-conductive. If you do not want to wait, tape over the battery and connectors to prevent any glue vapor from depositing over the battery and the connector.

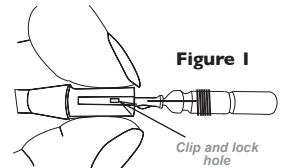
- m) Follow the rest of the installation manual that comes with your Firenock to complete the installation of your lighted nock.

Caution: The battery-pin O-ring is always needed, however do not apply a battery casing O-ring when an end cap is installed.

Nock/Circuit Installation (i.#) and Replacement (r.#)

- i.1 Align the PCB (Printed Circuit Board) with the click and lock hole in the nock as shown. (Fig. 1)
- i.2 Squeeze the nock cylinder as shown in Figure 1 to allow the PCB to be inserted into the nock.
- i.3 Insert the PCB until a distinctive click is heard and/or felt.
- r.1 The battery must remain installed during nock replacement. Without it, damage to the battery wire connector may occur.
- r.2 Squeeze the nock cylinder by hand as shown in Figure 1 to release the PCB (Printed Circuit Board) from its anchors.
- r.3 Hold the PCB, with the battery installed, and pull it out gently from the nock.
- r.4 Repeat step r.2 and install the new PCB, LED first. See i.1-i.3.

Note: Too much pressure on the nock during installation or removal may cause the nock to crack or break.

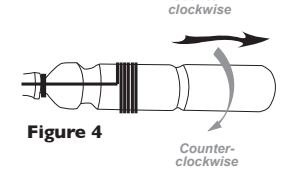
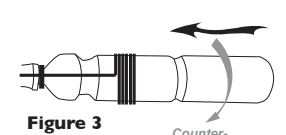


Battery Installation & Replacement (EZCoil design)

Caution: Do not allow the battery pin to come into any contact with the battery wire connector as it may lead to a complete discharge of the battery.

Note: Battery should be removed from the PCB if not used for over 30 days or will be drained within a year.

- i.1 Thread the battery-pin O-ring onto the pin of the battery. (Fig. 2)
- i.2 Insert the battery into the EZcoil with a counter clockwise action until the battery O-ring touches the battery and the pin connector on each end. (Fig. 3)
- r.1 Rotate the battery counter clockwise and gently pull the battery out and away from the EZcoil. (Fig. 4)



Firenock Lighted Nock Installation (i.#) & Removal (r.#)

- i.1 Rotate and push the nock down into the shaft until it is flush to the end of the nock cylinder.
- Note:** With the extreme shock battery end cap (ESEC) installed, one may encounter resistance on the very end when pushing the Firenock into the arrow. This is usually caused by the battery sitting on the edge of the ESEC instead of within it. To correct this, with slight pressure, rotate while pushing the Firenock to allow the battery to roll into the end cap. Note that forcefully pushing the nock into the shaft or shooting a Firenock with a gap between the nock cylinder and the shaft will usually result in a bent battery
- i.2 Align nock via the desired fletching configuration.

- r.1 With a firm grip, rock and gently pull the lighted nock system from the shaft.

Note: Twisting the nock will cause the wire to bind with the O-ring and snap.

Firenock Activation

Shoot from any bow which can assert no less than 65G to the arrow when launched or drops nock (see Firenock deactivation).

Firenock Deactivation (Hunting & Blinking [Intermittent] system)

- a. Align the lighted nock perpendicular to a hard surface.
- b. Lift the arrow no less than 6 inches (15 cm) from the surface.
- c. Hold the arrow motionless in mid-air for 6-8 seconds.
- d. Drop the arrow, nock first. (Fig. 5)
- e. Upon impact, the light will shut off automatically.
- f. If the light does not shut off, repeat steps (b - d) and increase the distance by 2 inch (5 cm) increments until the Firenock shuts off.

Note: Counter tops, concrete floors, truck beds, hard wood floors are examples of adequate hard surfaces. If the Firenock does not shut off after the free fall distance is as high as 20 inches (51 cm) and it is within the warranty period, please send in your Firenock for replacement.

Firenock Deactivation (Target system)

The light will shut off automatically in 17 (+/- 2) seconds.

